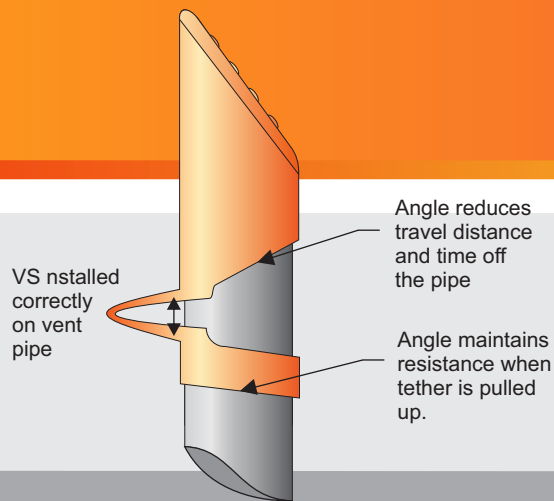


VENT SEAL™

VS -023-1 TO VS 023-6
VS -020-1 TO VS 020-6
Sizes from 1 inch to 6 inch diameter pipes

Suitable for applications requiring "Vapor Tight" seal, in severe weather conditions, for Nace environments.

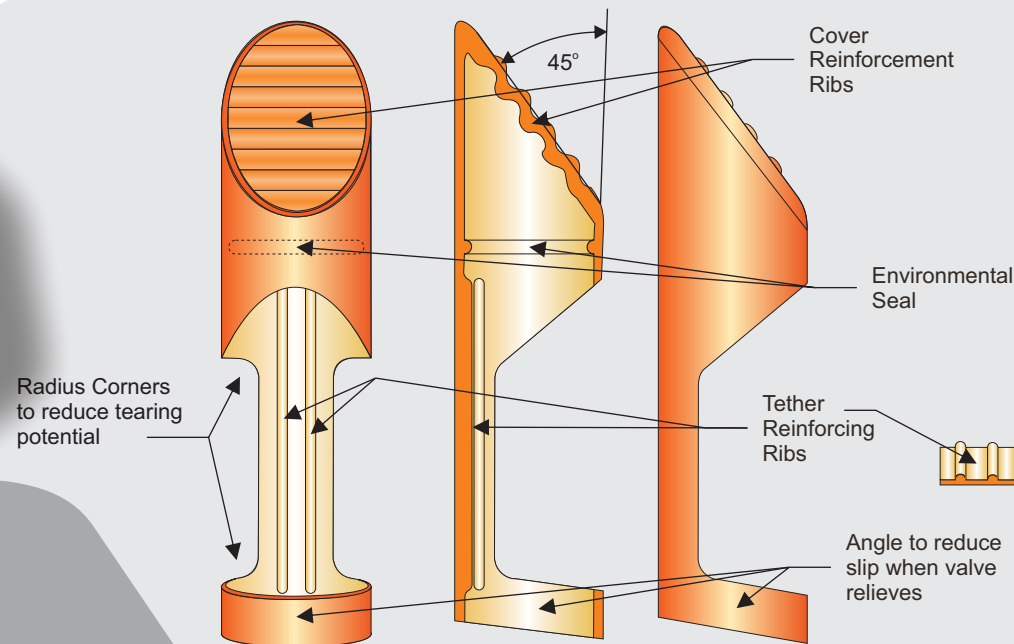
For Preservation of Safety Relief Devices per API RP 520 Part II



BENEFITS

- Satisfies API RP 520 Part II Section 6.1
- provide indication of valve operation
- Design operating temperature -60 to 275°F
- Used in application with operating pressures of 15 psi to 2500 psi

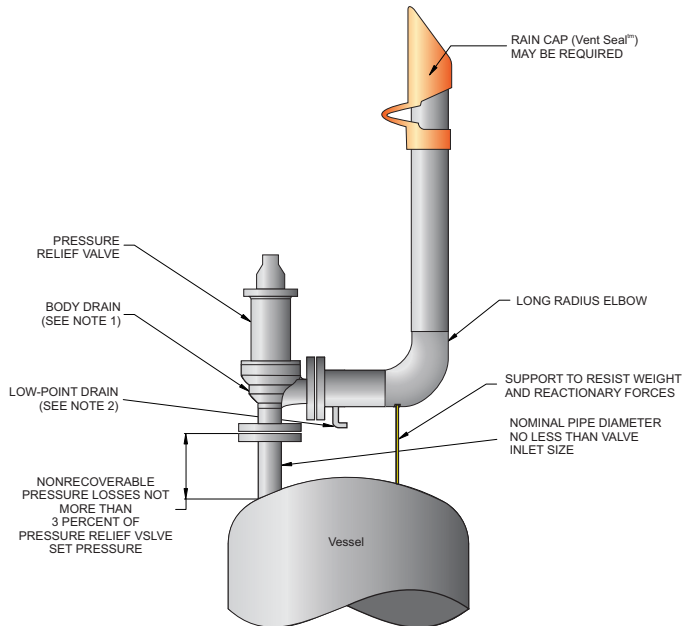
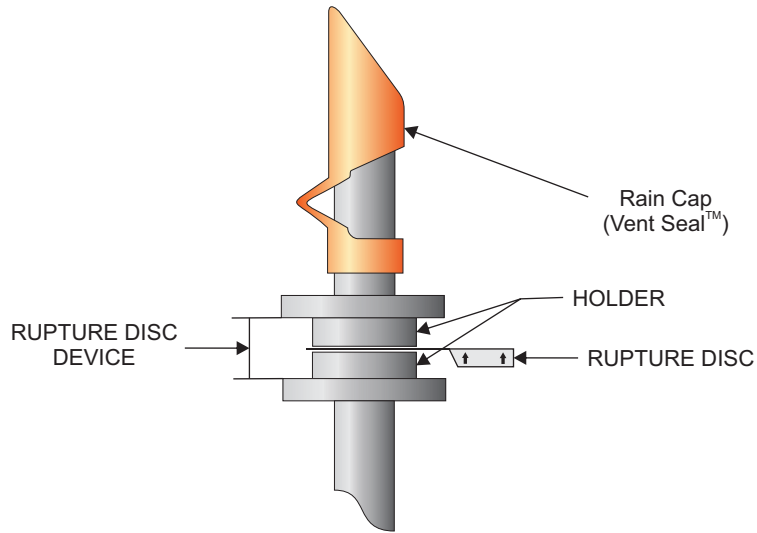
Patent Pending



The application of this product plays a major role in providing safety reliability and integrity of pressure relief valves and rupture discs installed on piping, pipelines, offshore production facilities, refineries, compressor stations and gas fire power plants

API RP520 Part II Installation

Section 6 - DISCHARGE PIPING FROM PRESSURE RELIEF DEVICES



Model	Color	Size
VS 023-1	Safety Orange	1 Inch
VS 023-2	Safety Orange	2 Inch
VS 023-3	Safety Orange	3 Inch
VS 023-4	Safety Orange	4 Inch
VS 023-6	Safety Orange	6 Inch
VS 020-1	Black	1 Inch
VS 020-2	Black	2 Inch
VS 020-3	Black	3 Inch
VS 020-4	Black	4 Inch
VS 020-6	Black	6 Inch

STANDARD COLORS



Safety Orange Black

NOTE: Other colors are available on request

Vent Seals™ are typically installed in applications in these industries

- Petroleum product Transport
- Oil and Gas Processing
- Refineries
- Chemical Processing
- Brewing and Distilling Industry
- Offshore Production Facilities
- Pulp and Paper Industry

ASK FOR "VS ORANGE"
The Safety Orange Vent Seal™
at your local distributor



TEMPORARY PIPE SEAL

TPStm

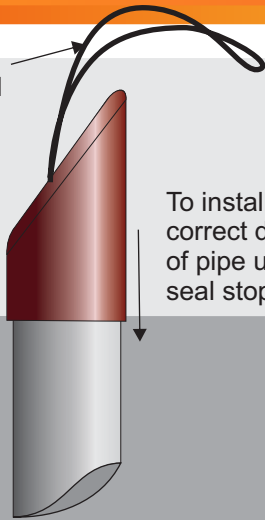
TPS -021-1 TO TPS 021-12

Sizes from 1 inch to 12 inch diameter pipes

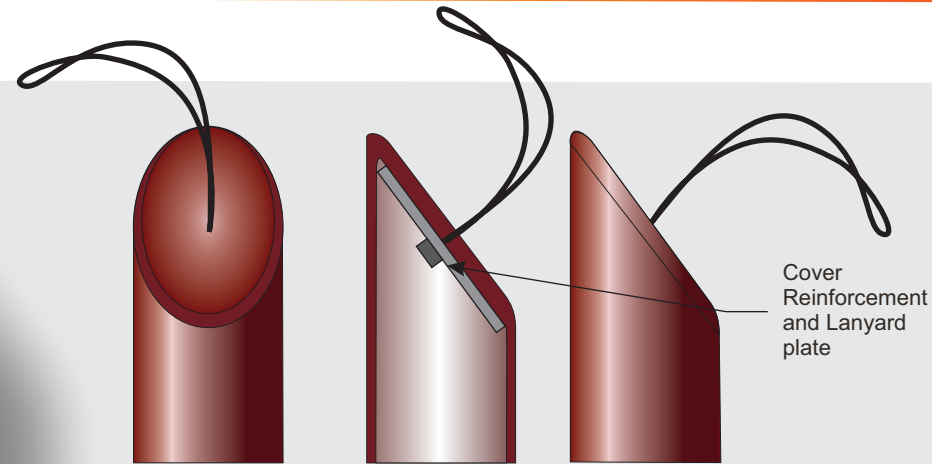
Suitable for applications in severe weather conditions, for Nace environments.

For use on small dimension piping projects 1" up to 12" pipe diameters for TEMPORARY weather seal on pipe during construction phases. These are intended to be in place when site is unattended

To remove simply pull on the lanyard



To install slip over correct diameter of pipe until the seal stops



This product is designed as a temporary "WEATHER" and debris seal it IS NOT design to contain liquid, gas or vapor products. It is designed to atmospheric pressure.

Model	Color	Size
TPS 011-1	Working Red	1 Inch
TPS 011-2	Working Red	2 Inch
TPS 011-3	Working Red	3 Inch
TPS 011-4	Working Red	4 Inch
TPS 011-6	Working Red	6 Inch
TPS 011-8	Working Red	8 Inch
TPS 011-10	Working Red	10 Inch
TPS 011-12	Working Red	12 Inch